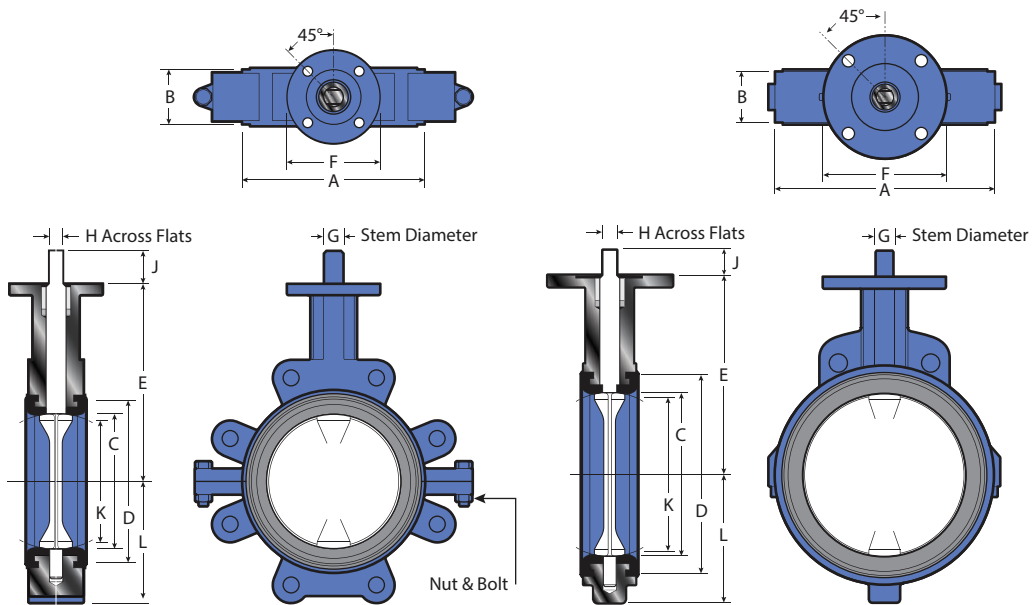


Installation & Operations Manual



Series 21 Lug & 20 Wafer



Expanded view illustration to come.

DIMENSIONS																	LUG BOLTING DATA				
Size	A	B	C	D	E	F	Top Plate Drilling			G	H	J	K	L		Adapter Code	Weight		Bolt Circle	# Holes	Threads ISO Course
							BC	# Holes	Dia.					Wafer	Lug		Wafer	Lug			
IN 2	3.69	1.62	2.00	2.85	5.50	3.54	2.76	4	.39	.55	.39	1.25	1.32	2.22	2.30	A	5.5	7.0	4.75	4	.5/8-11
MM 50	94	43	51	72	140	90	70		9.5	14	10	32	34	56	58		2.5	3.2	125		M16
IN 2.5	4.19	1.75	2.50	3.36	6.00	3.54	2.76	4	.39	.55	.39	1.25	1.91	2.47	2.57	A	6.5	9.0	5.50	4	.5/8-11
MM 65	106	46	64	85	152	90	70		9.5	14	10	32	49	63	65		2.9	4.1	145		M16
IN 3	4.88	1.75	3.00	4.15	6.25	3.54	2.76	4	.39	.55	.39	1.25	2.55	2.81	2.81	A	7.0	9.5	6.00	4	.5/8-11
MM 80	124	46	76	102	159	90	70		9.5	14	10	32	65	71	71		3.2	4.3	160		M16
IN 4	6.06	2.00	4.00	5.16	7.00	3.54	2.76	4	.39	.63	.43	1.25	3.57	3.56	4.09	B	11.0	15.0	7.50	8	.5/8-11
MM 100	154	52	102	131	178	90	70		9.5	16	11	32	91	90	104		5	7	180		M16
IN 5	7.06	2.12	5.00	6.16	7.50	3.54	2.76	4	.39	.75	.51	1.25	4.63	4.28	4.61	C	14.0	22.0	8.50	8	.3/4-10
MM 125	181	56	127	156	190	90	70		9.5	19	13	32	118	109	117		6	10	210		M16
IN 6	8.12	2.12	5.75	7.02	8.00	3.54	2.76	4	.39	.75	.51	1.25	5.45	4.78	5.08	C	17.0	25.0	9.50	8	.3/4-10
MM 150	206	56	146	178	203	90	70		9.5	19	13	32	138	121	129		8	11	240		M16
IN 8	10.50	2.50	7.75	9.47	9.5	5.91	4.92	4	.57	.87	.63	1.25	7.45	6.03	6.12	D	32.0	45.0	11.75	12	.3/4-10
MM 200	267	60	197	240	241	150	125		14	22	16	32	189	153	155		15	20	295		M20
IN 10	12.75	2.50	9.75	11.47	10.72	5.91	4.92	4	.57	1.18	.87	2.00	9.53	7.41	7.69	E	47.0	66.0	14.25	12	.7/8-9
MM 250	324	68	248	291	273	150	125		14	30	22	51	242	188	195		21	30	350		M20
IN 12	14.88	3.00	11.75	13.47	12.25	5.91	4.92	4	.57	1.18	.87	2.00	11.47	8.41	9.02	E	68.0	102.0	17.00	12	.7/8-9
MM 300	378	78	298	342	311	150	125		14	30	22	51	291	214	229		31	46	400		M20

Note: The K dimension on both tables is disc chordal dimension at valve face.