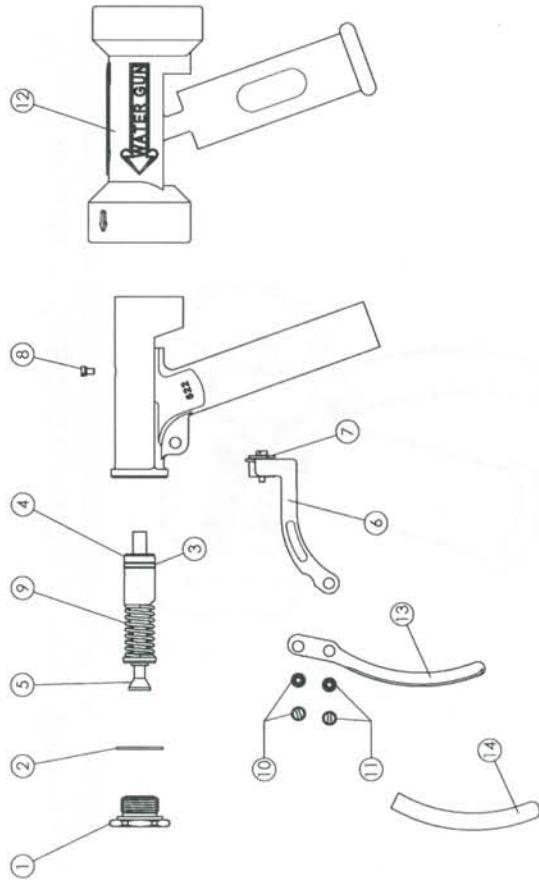


Front Trigger Watergun Spares

When ordering please state if

- Mk. 78 with 8mm (5/16") orifice
- Mk. 80 with 11mm (7/16") orifice
- Mk. 82 with 14mm (9/16") orifice



ITEM	DESCRIPTION	FINISH	MODEL	PART No.
1	Nozzle Piece (Only)	-	Mk. 78 Mk. 80 Mk. 82	520-3-78J 520-3-80J 520-3-82J
2	Nozzle Piece Washer	-	-	520-22
3	Spindle 'O' Rings	-	-	SPSP0002J
4	Cartridge Unit	-	-	SPSP0001J
5	Meter and Shut Off Assembly	-	Mk. 78 Mk. 80 Mk. 82	SPSP0012J SPSP0013J SPSP0014J
6	Actuating Fork & Spindle Pilot Bush Assembly	-	-	SPSP0004J
7	Actuating Fork Locking Washer & Screw	-	-	SPSP0005J
8	Spindle Housing Anchor Screw & Washer	-	-	SPSP0007J
9	Main Spring	-	-	520-12

ITEM	DESCRIPTION	FINISH	MODEL	PART No.
10	Trigger Pivot Pin	-	-	SPSP00020J
11	Trigger Sleeve Set	-	-	SPSP0019J
12	Renewable Rubber Cover - Black	Black Rubber	-	RMCA0020J
12	Renewable Rubber Cover - White	White Rubber	-	RMCA0021J
13	Trigger	-	-	B9LR0010J
14	Trigger Sleeve	-	-	RMSL0006J

Repair Kits for Front Trigger Watergun

DESCRIPTION	MODEL	PART No.
Repair Kit includes: 2, 3, 5, 8, 10 and 11	Mk.78	SPSP0021J
Repair Kit includes: 2, 3, 5, 8, 10 and 11	Mk.80	SPSP0022J
Repair Kit includes: 2, 3, 5, 8, 10 and 11	Mk.82	SPSP0023J

GUNS ARE NOT SUITABLE FOR USE ON STEAM LINES.



LILLY Engineering
217 Catalpa, Masca IL 60143
Tel: 630.773.2222
Fax: 630.773.3443
lillyengineering.com



Steam & Water
Mixing Valves



516 Series
Spraygun



Thermostatic
Hot & Cold Water
Mixing Valves



Wash
Station



522 Series
Spraygun