

## INSTRUCTIONS FOR SERVICING

Working parts of the Water Gun are contained in a single cartridge that is removed by:

- 1 Remove rubber cover by slipping rubber off back of nozzle and pulling over front. A mild solution of warm soapy water may be helpful.
- 2 Remove lever arm screw and remove lever arm.
- 3 Unscrew nose piece and push cartridge out of the front end of the nozzle.
- 4 To insert a new cartridge, reverse above procedure. (To ease replacement of the cartridge and the rubber cover, immerse both in a mild solution of soap and warm water, use liberally on cartridge gasket to prevent damage whilst inserting).

When pushing lever back into the body, be sure that the lever fork engages the fork receptacle.

Seat of nozzle consists of a rubber gasket contained in the nose piece, to renew, simply snap on a new gasket. Body seal consists of rubber gasket (Y1RG0020), which is part of the cartridge.

## INSTRUCTIONS FOR FITTING RENEWABLE RUBBER COVER

- 1 Immerse the entire fitting in a mild soapy solution.
- 2 The cover is firstly engaged on the pistol grip portion, secondly on the nozzle end and thirdly on the tail part of the gun. After the pistol grip is slipped into the rubber it will be found helpful to put this part into a smooth tube held in a vice so that two hands are available for subsequent operations.

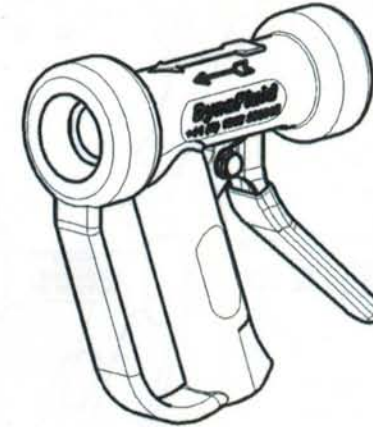
### NOTE

Maximum water temp. used when changing cover should not exceed 50°C (122°F)

**GUNS ARE NOT SUITABLE FOR USE ON STEAM LINES.**



## **WATERGUN - INSTRUCTIONS FOR FITTING**



## **All Rear Trigger Models - 516 Spraygun**

### INSTRUCTIONS FOR FITTING

TO MAKE A WATERTIGHT JOINT between the hose lining and the pistol grip portion of the nozzle, a small amount of 'Heldite' or similar jointing compound can be used on the threaded part of the lining.

Any hose connected to the water gun should be secured for safe working practice suitable for the use intended.

### ADJUSTMENT OF SPRAY OR JET

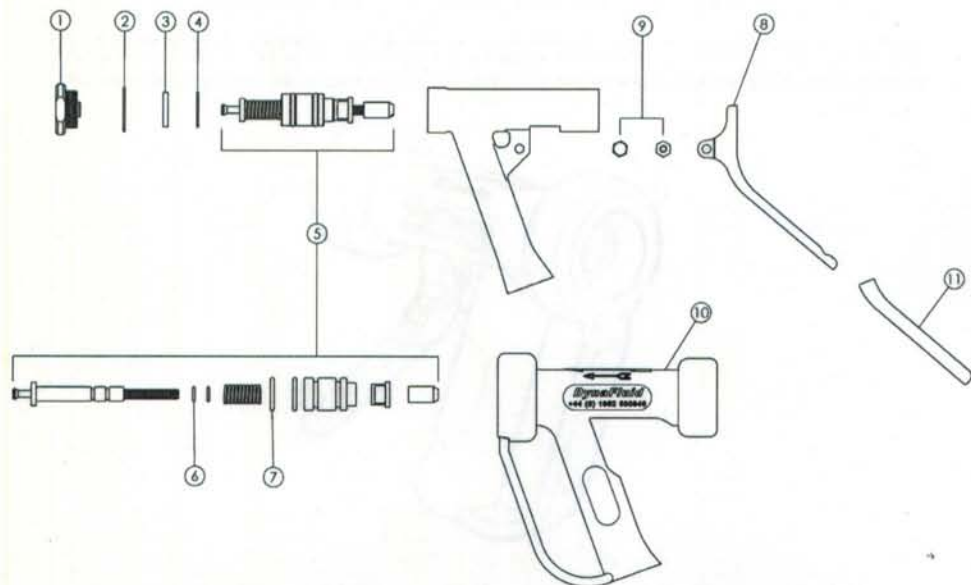
Standard Spray Nozzles are adjusted to give a spray when the trigger is depressed slightly, and a jet when the trigger is depressed fully.

*Instructions for servicing and fitting rubber cover continued on back page.  
Spares list and diagram inside.*

## Rear Trigger Watergun Spares

When ordering please state if  
 Mk. 2 with 8mm (5/16") orifice  
 Mk. OH with 11mm (7/16") orifice  
 Mk. MV with 14mm (9/16") orifice

mark number is stamped on lever fork.



Also note whether gun is gunmetal or stainless steel for replacement nozzles/cartridge assemblies.

ITEM	DESCRIPTION	FINISH	MODEL	PART No.
1	Nozzle Piece (Only)	Natural	Mk.2 Mk.OH Mk.MV	516-1-5J 516-O-5J 516-LB-5J
1	Nozzle Piece for Plastic Body (Only)	Natural	Mk.2 Mk.OH Mk.MV	516P-1-5J 516P-O-5J 516P-LB-5J
1	Nozzle Piece (Only)	Stainless Steel	Mk.2 Mk.OH Mk.MV	516-1-5SSJ 516-O-5SSJ 516-LB-5SSJ
2	Fibre Washer	-	-	516-16J
3	Seat Gasket	-	Mk.2 Mk.OH Mk.MV	516-2-10-VITON 516-OH-10-VITON 516-MV-10-VITON
4	Anti-Blow Off Washer	-	-	L1WR0034J
5	Renewable Cartridge inc. working parts	Natural	Mk.2 Mk.OH Mk.MV	SUSA0123J SUSA0122J SUSA0119J

ITEM	DESCRIPTION	FINISH	MODEL	PART No.
5	Renewable Cartridge inc. working parts	Stainless Steel	Mk.2 Mk.OH Mk.MV	SUSA0123SSJ SUSA0122SSJ SUSA0119SSJ
6	Spindle 'O' Ring x 2	-	-	Y1RG0100
7	Cartridge 'O' Ring x 2	-	-	Y1RG0020
8	Lever Arm	-	-	L9LR0002J
9	Lever Bolt & Screw	-	-	SUSA0216J
10	Renewable Rubber Cover - Black	Black Rubber	-	RMCA0064J
10	Renewable Rubber Cover - White	White Rubber	-	RMCA0065J
11	Trigger Sleeve	-	-	RMSL0006J

## Seal Repair Kits for Rear Trigger Watergun

DESCRIPTION	MODEL	PART No.
Seal Repair Kit includes items: 2, 3, 6, 7 and 9	Mk.2	SPSN0017J
Seal Repair Kit includes items: 2, 3, 6, 7 and 9	Mk.OH	SPSN0018J
Seal Repair Kit includes items: 2, 3, 6, 7 and 9	Mk.MV	SPSN0019J

**DynaFluid**  
 LILLY Engineering  
 217 Catalpa, Itasca IL 60143  
 Tel: 630.773.2222  
 Fax: 630.773.3443  
[lillyengineering.com](http://lillyengineering.com)

**Steam & Water  
Mixing Valves**

**Thermostatic  
Hot & Cold Water  
Mixing Valves**

**516 Series  
Spraygun**

**Wash  
Station**

**522 Series  
Spraygun**